

QRS116

MEMS Quartz Angular Rate Sensor

Ideal for High-Precision Military Applications:

- Stabilization
- Flight Control
- Ground & Marine Vehicle Control
- Guidance
- Navigation
- Instrumentation



Key Performance Features:

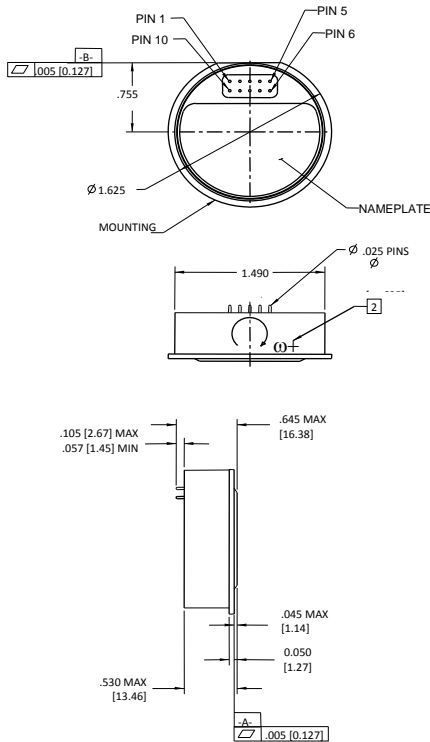
- **DC Input/High Level DC Output**
- **Extremely Low Noise**
- **Outstanding Bias Stability**
- **Internal Electronics**
- **High MTBF**
- **Fast Start-Up**
- **Unprecedented Low Angle Random Walk**



The QRS116 meets state-of-the-art systems requirements for very high accuracy, very low noise angular rate sensing. The QRS116 is a form, fit and function-enhanced alternative to the popular, highly-reliable QRS11. Using a next generation version of Systron Donner's unique quartz micro-machined sensing element, the QRS116 delivers excellent bias stability, signal to noise ratio and vibration performance characteristics in a small, lightweight package. With no moving parts and no scheduled maintenance, the QRS116 provides reliable service and low total cost of ownership.

QRS116

MEMS Quartz Angular Rate Sensor



Notes:

1. QRS116 is supplied with two mounting rings, mounting screws & mating test connector.
2. Angular rate applied as shown will produce a more positive output (not marked on unit)
3. Unit of measure is inches/[mm]
4. Initiated BIT - Grounding Self Test Input produces a step change of +1.0 to +1.5 VDC @ Rate Output
5. BIT Output > +2.4 Vdc when "ready"
6. Allan Variance 100 second correlation time

* Performance levels indicated are "Typical" unless otherwise noted

** Other rate ranges available, consult factory

*** Consult factory for other vibration level requirements, and see user's guide for more information regarding vibration tolerance and sensitivity.

QRS116 INPUTS/OUTPUTS

Self Test Input (see Note 4)

+Vdc Input

Power Ground

BIT Output (see Note 5)

Internal Temperature Sensor

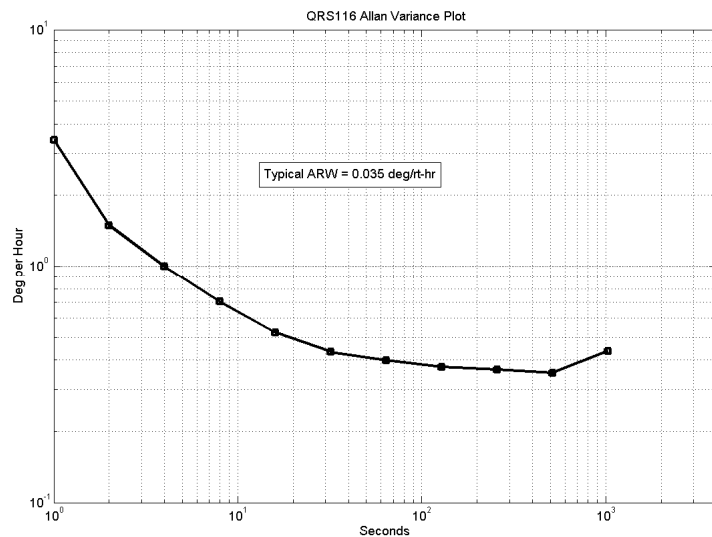
Rate Output

Signal Ground

-Vdc Input

Case Ground

QRS116-0100-200	
Power Requirements	
Input Voltage	+ and - 5 Vdc ± 5 % regulation
Input Current	< 20 mA (each supply)
Performance	
Standard Range Full Scale**	± 100°/sec.
Full Scale Output	± 2.5 Vdc
Scale Factor Calibration (at 22°C)	≤ 1% of value
Scale Factor over Temperature (Dev. from 22°C)	≤ 0.03%/°C
Bias Variation with Temperature (Modeled with 3rd order polynomial 1σ)	20 deg/hr.
Short Term Bias Stability - Note 6	3 deg/hr
G Sensitivity	< 0.02°/sec/g
Start-Up Time	< 1.5 sec.
Bandwidth (-90° Phase Shift)	> 60 Hz
Non-Linearity (% Full Range)	< 0.05%
Threshold/Resolution	< 0.004°/sec.
Output Noise (DC to 100Hz)	≤ 0.002 °/sec./√Hz
Environments	
Operating Temperature	-55°C to +85°C
Storage Temperature	-55°C to +100°C
Vibration Operating***	10 g _{rms} 20 Hz to 2 kHz Random - flat
Vibration Survival	20 g _{rms} 20 Hz to 2 kHz random
Shock	1,000g, any axis
Weight	≤ 60 grams
Temperature Sensor	
Temp. Sensor (Offset @ +22°C)	0 ± 0.5 Vdc @ 22°C
Scale Factor	0.007 to 0.012 V/°C



For more information, contact:

Systron Donner Inertial
2700 Systron Drive
Concord, CA 94518 USA
+1.866.234.4976 | sales@systron.com

www.systron.com

A BRAND OF
INNOVISTA
SENSORS

965583 Rev. K